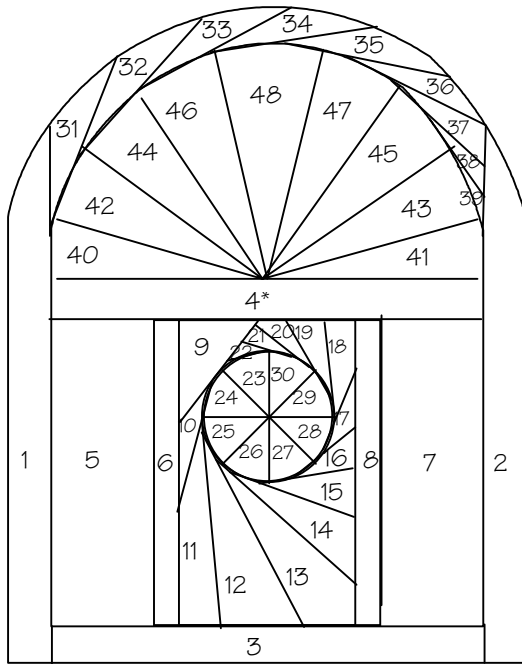


Stained Glass Window



Instructions:

(For basic iris folding instructions go to:

<http://www.handcraftedgreetings.com/irisinst.html>)

Place the folded strips in the order indicated on the pattern. Strip #4 is folded on BOTH long edges and serves as a foundation for the top and bottom panes of the window.

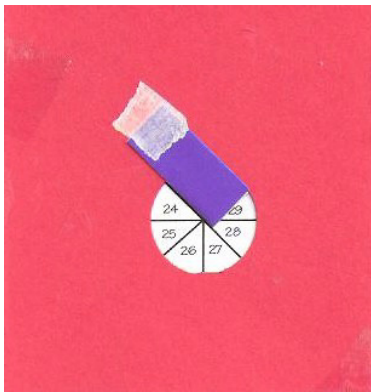
To make the small circle in the center of the bottom pane, tape only the outside end of the each paper strip as shown in example 1 below.

Make sure to line up the folded edge exactly on the line. Extend the inside end of the strip about 1/16 to 1/8 inch beyond the center (see example 1).

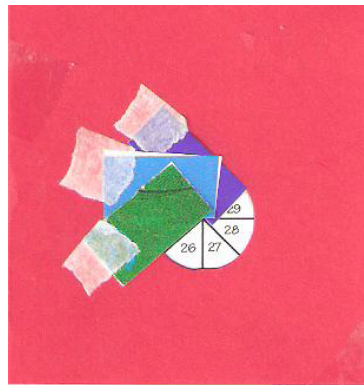
Continue around the circle, overlapping the inside ends as shown in example 2.

When you get to the last two strips, you will need to tuck the inside ends under as shown in examples 3 and 4.

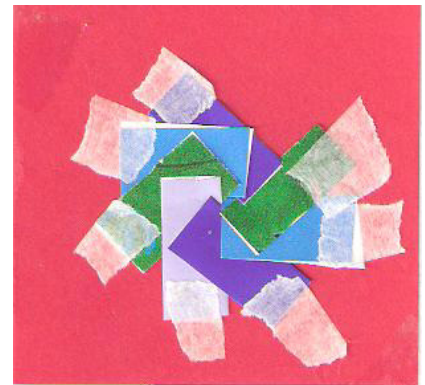
Carefully remove your work from the template and flip it over. If the strips in the circle do not align correctly, you can make minor adjustments before taping them down by sliding them into place. Once they are adjusted to your satisfaction, place a piece of tape on the back to secure them. Your finished circle should resemble example 5.



example 1



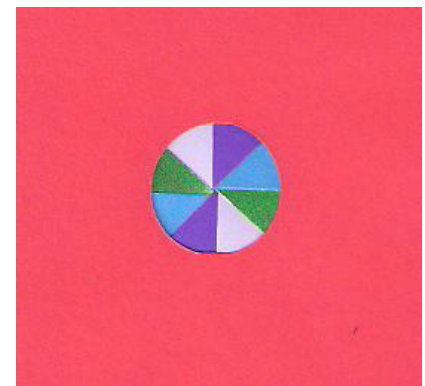
example 2



example 3



example 4



example 5